



Call Toll Free: **+1 855 532 0366**
Email: **sales@marmitplastics.com**

Edmonton

20930 118A Ave
Edmonton, Alberta
Canada T5S 2S7
Tel no: +1 780 451 6729

Grande Prairie

64071 Hwy 43 TWP RD 714
Grande Prairie, Alberta
Canada T8V 3A5
Tel no: +1 780 532 0366

STORAGE TANKS YOU CAN TRUST



www.marmitplastics.com

Product categories:

- Barricades
- Chemical tanks and containment
- Custom welding fabrications and molding
- Diesel and DEF transport tanks
- Dump truck liners and lining applications
- Fiberglass burial storage tanks
- Lids, fittings and more
- Liquid level alarms and gauges
- Oilfield products
- Plastic burial storage tanks
- Portable toilets
- Recreational products
- Sprayers
- Steel tanks
- 'TOP FILL' tank filling system
- Water and agricultural tanks



Marmit Plastics Inc (MPI) provides containment, storage and transportation solutions for different industries including:

- Oil and Gas
- Agriculture
- Construction
- Transportation
- Recreation
- And more...



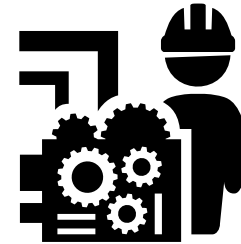
Client first

Putting our client's first with a world-class customer service



A culture of excellence

Guaranteed high-quality plastic tanks and products offering excellent after sale customer service



Power of human + machine

Exceptionally innovative plastic products and solutions molded by Canada's leading rotational experts

Since 1990, MPI has been providing a range of **liquid storage solutions** to suit your requirements and applications. Over the years, MPI has achieved business excellence offering **outstanding service and manufacturing innovative high-quality plastic tanks**. We are trusted by our valued clients, the communities and various industries we work with **providing creative solutions to storage issues**. MPI is dedicated to delivering **eco-friendly, sustainable plastic solutions** that protect the environment for future generations.

Marmit Plastics Inc (MPI) is one of the leading manufacturers of high-quality polyethylene tanks. Our products are proudly designed and produced in Alberta, Canada. From high-quality components like polyethylene, MPI poly tanks are a robust solution to **store a wide range of contents including water and chemicals**. With a large range of tanks from 5 to 11,000 gallons, MPI's seamless polyethylene tanks are **built to withstand abrasive weather conditions**. We can also work closely with you to develop CAD enhanced material specifications, wall thickness and mold configurations to precisely meet your needs.



Find us on Facebook
facebook.com/marmitplastics



Follow us on Instagram
@marmitplastics



Find us on LinkedIn
linkedin.com/company/marmitplastics



Table of Contents

About Marmit Plastics Inc	2
Credit Application	3
Services	4
Products	
Barricades	5
Chemical Tanks and Containment	6
Custom Welding Fabrications and Moldings	11
Diesel and DEF Transport Tanks	12
Dump Truck Liners and Lining Applications	13
Fiberglass Burial Storage Tanks	13
Lids, Fittings, and more	15
Liquid Level Alarms and Gauges	16
Oilfield Products	17
Plastic Burial Storage Tanks	19
Portable Toilets	20
Recreational Products	20
Sprayers	22
Steel Tanks	28
‘TOP FILL’ Tank Filling System	29
Water and Agricultural Tanks	30
Order Form	35
Contact Us	36

Shipping

Your orders can be picked up at the location near you. However, if you decide to get your order shipped, MPI will ship your order on the same day your order is booked. MPI ships Monday through Friday excluding holidays. Shipping cost is dependent on weight, dimensions and destination. Call +1 855 532 0366 to find out the exact shipping cost of your order.

Credit application

SCAN ME



Open your camera, hover it to the QR code as it automatically opens the document in your internet browser.

Notice

Marmit Plastics Inc (MPI) reserves the right to change specifications, design and price of the products described in this catalogue without notice. Images used in this catalogue are for advertising purposes only. Please use the product properly and with care. Improper use of the products may cause serious or fatal injury. Contact MPI directly for clarifications on product’s recommended use.



SERVICES

Start-to-finish services

All your storage solutions in one place

Marmit Plastics Inc (MPI) is proud of its talented in-house team. From design to manufacturing and custom fabrication, to installations, MPI is a **one-stop solution for all your containment and rotational molding needs**. MPI specializes in sales, service, safety and more.

Professional service you can trust

You will always find **friendly and professional service** at MPI. Our commitment to **quality results** begins with a trusting relationship. The team will closely work with you to find out about your specific requirements and find a **cost-effective solution** that is best for you.

One-of-a-kind designs and fabrications

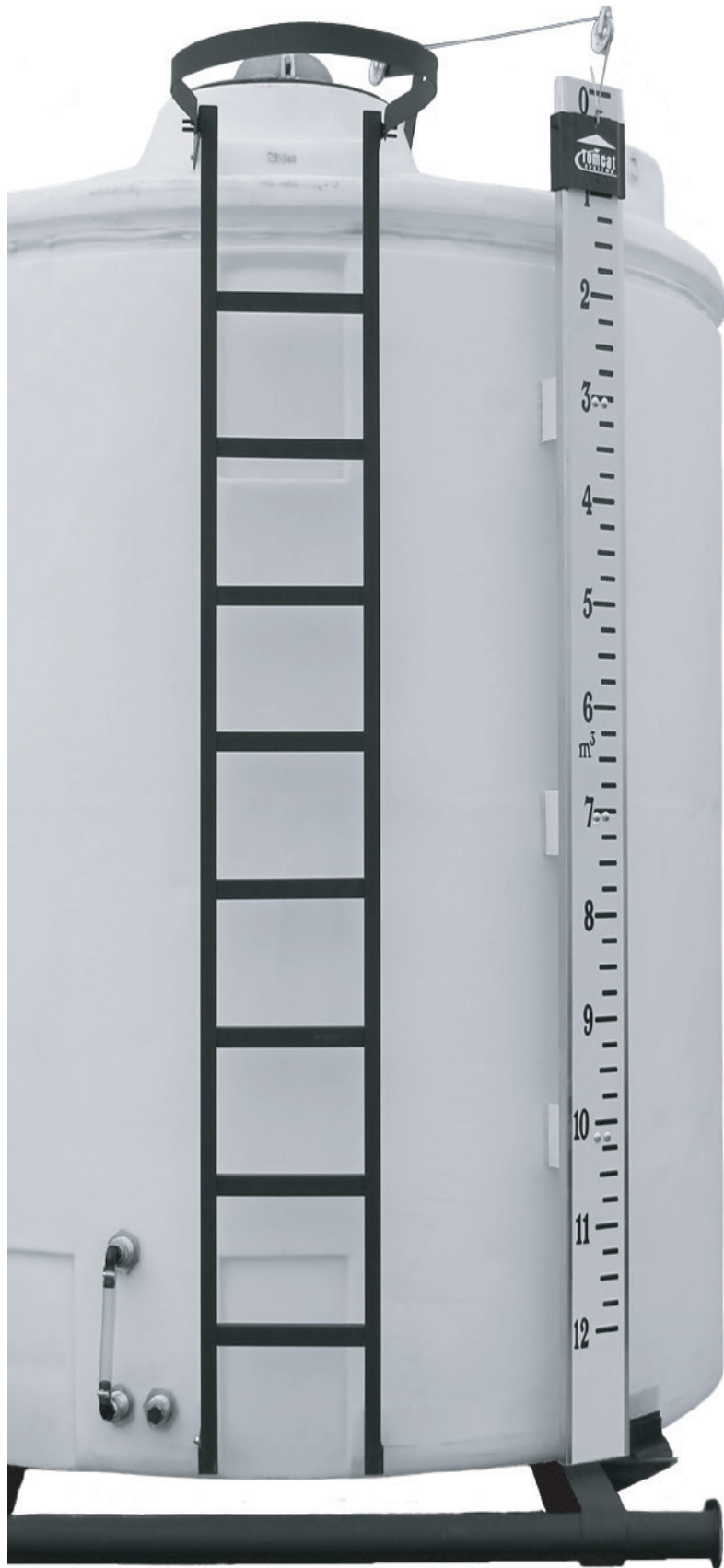
As a leading expert in rotational molding, MPI can **create simple and innovative solutions** you won't find elsewhere. MPI can custom design a lasting solution that works perfectly for your needs.

Services offered

- Rotational molding and mold making
- Custom bulkhead, lids and fittings installation
- Custom plastic fabrication
- IBC and totes re-certification
- Tank repairs
- And more...

MPI also offers a variety of unique accessories for all your tank and on-site storage requirements.

Contact our experts now to learn about the different cost-effective and long-term solutions for your storage needs.



PRODUCTS



Marmit Plastics Inc (MPI) delivers premium quality roto-molded poly products that can store a wide variety of contents including water and chemicals. MPI offers one of the largest range of plastic tanks in different styles including **vertical, horizontal, septic, and many more**. Some are best suited for **above ground use**, while others perform well **underground**.

“MPI is the only provider in western Canada that can manufacture, service or supply a wide range of tank options. MPI supplies agricultural, oil & gas, recreational and forestry industries with high-quality products and services everyday.”

Owen Loos, General Manager, **Marmit Plastics Inc.**

Barricades

Durable

High density polyethylene

Portable

100 lbs when empty. Bring to actual location then fill with water, sawdust, sand, or cement to desired weight

Interlocking

Allows you to create walls, corners or even an entire berm for containment purposes



Chemical tanks and containment

Used Oil Containment

- 100% contained tank design
- Durable industrial grade powder coating
- Lockable fill/spill container
- Comes with dump screen
- Structural support saddles
- Listed to ULC S652 latest edition
- D-55 compliant



CODE	IMP GAL	LITERS	LENGTH x DIA	LBS
SC-300 Gallon DW Used	250	1,135	72" x 38"	700
SC-500 Gallon DW Used	416	1,892	72" x 50"	880
SC-1000 Gallon DW Used	832	3,785	144" x 50"	1,500

* Stair kit available for 500 and 1000 gallon



Large Double Wall Tanks

- Built-in secondary containment
- Stainless steel bulkhead fitting
- Large 12" access lids
- Stainless steel grounding cable

CODE	IMP GAL	LITERS	L x W x H	LBS
CHEM300DW	300	1,363	98" x 45" x 45"	309
CHEM500DW	500	2,273	103" x 58" x 60"	464
CHEM1000DW	1,000	4,546	116" x 74" x 71"	672
STAND300	4 feet	—	46 3/8" x 69 3/4" x 58"	257
STAND500	4 feet	—	54" x 69 3/4" x 58"	266
STAND1000	4 feet	—	72 1/4" x 87 1/2" x 73 3/16"	551

* 4 ft ladders with platform available

Small Double Wall Tanks

- Built-in secondary containment
- Stainless steel bulkhead fitting
- 7" access lids
- Stainless steel grounding cable



CODE	IMP GAL	LITERS	L x W x H	LBS
CHEM50DW	50	227	40" x 28" x 20"	76
CHEM100DW	100	454	62" x 34" x 27"	138
CHEM150DW	150	681	62" x 34" x 36"	175
STAND50	4 feet	—	42" x 30" X 48"	100
STAND100/150	4 feet	—	54" x 69 3/4" x 48"	150

* 4 ft ladders and stackable stands available



Single Wall Tanks

- Stainless steel bulkheads
- Free flow screened venting

CODE	IMP GAL	LITERS	L x W x H	LBS
CHEM125SW	125	568	63" x 24" x 27"	72
CHEM185SW	185	840	62" x 34" x 36"	92
CHEM300SW	300	1,363	72" x 40" (dia)	163
CHEM500SW	500	2,273	86" x 50" (dia)	250
CHEM1000SW	1,000	4,546	96" X 64" (dia)	395
STAND300	4 feet	—	46 3/8" x 69 3/4" x 58"	257
STAND500	4 feet	—	54" x 69 3/4" x 58"	266
STAND1000	4 feet	—	72 1/4" x 87 1/2" x 73"	551

* 4 ft ladders with platform available



Quick fact

Color does not affect the quality of Marmit Plastics Inc. products. All our tanks and products are made with high density polyethylene regardless of the color.

80 Barrel

- Steel skid unit with ladder
- Gauge board, thief hatch
- Optional sizes of bulkheads

CODE	IMP GAL	LITERS	L x W x H	LBS
80BBLDW	2,700	12,258	100" x 111"	1,325
80BBLSHORTSKID	—	—	127" x 83" x 6"	750
80BBLSKID	—	—	150" x 83" x 6"	800

Stainless Steel Tote

- Ball valve or sanitary stainless butterfly valve
- Cover gasket and vent seals in EPDM (std), Buna or Teflon coated EPDM and Viton for our 16" hatch
- 16" flip top hatch or 22.5" bolt ring type cover
- Full length liquid level indicator
- Hopper bottom models for thicker liquids
- Integral pneumatic or electric mixers
- UN31A certification to specific gravity of 1.9



CODE	CAPACITY	TARE MASS
S1307	1,307 Liters	600 lbs
S2602	2,602 Liters	862 lbs



Secondary Containment

- Freight friendly; nestable
- Up to 1100 imperial gallon secondary containment to fit all plastic and steel tank stands

CODE	IMP GAL	LITERS	L x W x H	L x W (inner)	LBS
DRIPTANK	3	15	23" x 5" x 12"	-	2.5
CT100	100	454	56" x 50" x 12"	49" x 43"	37.5
CT175	175	795	68" x 55" x 19"	51" x 38"	87.5
CT275	275	1,250	80" x 57" x 26"	57" x 34"	100
CT350	350	1,591	98" x 77" x 17"	81" x 60"	124
CT550	550	2,500	111" x 88" x 22"	91" x 68"	180
CT1100PL	1,100	5,000	155" x 111" x 22"	135" x 91"	350
CT1100ST	1,100	5,000	202" x 88" x 22"	182" x 68"	340



Drip Tray

For use under vehicles, valves and in many low volume potential leak situations

CODE	IMP GAL	LITERS	L x W x H	LBS
DRIPTRAY	20	91	64" x 27" x 5"	22

Polyethylene Tote

- Enamel, epoxy, urethane or powder coating available
- 12" high or full height interior protective panels
- Valves in various materials up to 3" in size
- Lid gasket, valve gasket and vent seals in EPDM (std), Buna, Viton or santoprene
- 10" screw cap approved on P1500 for hazardous goods
- UN31HA1 certification to specific gravity of 1.9



CODE	CAPACITY	TARE MASS
P900	909 Liters	480 lbs
P1200	1,184 Liters	501 lbs
P1350	1,354 Liters	600 lbs
P1500	1,587 Liters	569 lbs

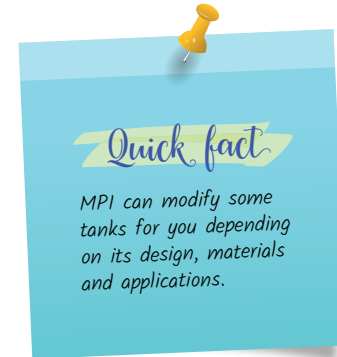


Thermal Tote

- Moisture proof, may be washed down (when disconnected)
- 250 and 300 imperial gallon models available
- Fully portable and stackable to three units high
- Various valve configurations
- Choice of colors and coatings
- Food and pharmaceutical compatible bottle
- Fully insulated to maintain heat for extended period

CODE	CAPACITY	TARE MASS
1200	1,200 Liters	833 lbs
1350	1,350 Liters	931 lbs

Custom welding fabrication and molding



ATV Cabs

- Manufactured for Pioneer Off-Road Rentals
- Not for resale

Custom options

- Custom tank
- Custom pig box
- Custom transport tank
- Lift station
- And more...



Oilfield Waste Bin

- High-density polyethylene
- Molded products custom designed from concept to completion

Diesel and DEF transport tanks



Diesel Exhaust Fluid (DEF) Transfer Tanks

- With high-quality stainless steel pumps and auto shut off
- 18 feet of electrical cable with battery clips
- Molded in handles for easy lifting
- Fully enclosed lockable pump cover for security and protection

CODE	US GAL	LITERS	L x W x H
REU025C09S	25	95	32" x 27" x 20"
REU055C09S	55	208	32" x 27" x 20"
REU075N09S	75	284	51" x 21" x 31"
REU100S09S	100	379	47" x 34" x 34"

Diesel Fuel Boss

- Each tank arrives assembled and ready to use
- Equipped with a pump, hose and gun
- Auto shut-off nozzle reduces downtime onsite
- Lightweight robust design - fits in the back of a pick-up truck
- Pump protected with lockable poly pump cover



CODE	US GAL	LITERS	DESIGN	L x W x H
RDU025C10D	25	95	Compact	32" x 27" x 20"
RDU055C10D	55	208	Compact	32" x 27" x 20"
RDU055S10D	55	208	Standard	48" x 34" x 22"
RDU075N10D	75	284	Slimline	51" x 21" x 31"
RDU100N10D	100	379	Slimline	51" x 21" x 38"
RDU100S10D	100	379	Standard	47" x 34" x 34"

Silver Series DEF Tanks

When cost is a deciding factor for your DEF solution... Excellent value less cost.

- Light weight tank to enable easy movability
- All stainless steel and poly construction, NO RUST



CODE	US GAL	LITERS	L x W x H
REU060E09S	60	227	37" x 30" x 24"

Dump truck liners and lining applications



“Clean, efficient and safe solutions for any load.”

Matrox® & Ramex® Ultra High Molecular Weight (UHMW) polyethylene dump truck liners provides affordable non-stick surfaces that stand up to the most extreme lining conditions. The Matrix lining system even handles asphalt.

- Low surface friction eliminates “load sticking”
- Even load release every dump cycle
- Reduced wash-out times
- Self-lubricating, impact resistant polymer
- Longer service life from brakes, hydraulics and bed
- Protects trucks from tip overs

Fiberglass burial storage tanks



Water Tanks

- Used for potable water
- NSF standard 61 approved
- 10-foot burial depth
- All tanks come with bonded 30" extension and lid
- More sizes available. Call us today for a quote

CODE	IMP GAL	LITERS	DIA x H	LBS
WB750	750	3,410	73" x 109"	300
WB1200	1,200	5,455	88" x 124"	400



Wastewater Tanks

- Corrosion resistant, eliminates leakage
- 10-foot burial depth
- CSA approved standard B66
- More sizes available. Call us today for a quote

CODE	IMP GAL	LITERS	DESCRIPTION	DIA x H	LBS
PB750	550	2,500	Pump Out - 2 Comp.	73" x 190"	360
PB1000	950	4,319	Pump Out - 2 Comp.	88" x 124"	470
H750	657	2,987	Holding - 1 Comp.	73" x 109"	300
HB1100	1,122	5,101	Holding - 1 Comp.	88" x 124"	400
SB1000	950	4,319	Syphon - 2 Comp.	88" x 124"	470

'Drop and Go' Series

- No special back fill required
- Will NOT rust, rot or corrode
- 7-foot burial depth
- Lightweight (320 lbs)
- CSA approved
- More sizes available. Call us today for a quote



CODE	IMP GAL	LITERS	DESCRIPTION	DIA x H
75H1000MD	1,000	3,785	Holding tank - 1 Comp.	81" x 84"
75P1000MD	750 WC	3,785	Siphon tank - 2 Comp.	81" x 84"
75S1000MD	750 WC	3,785	Siphon tank - 2 Comp.	81" x 84"
75W1000MD	1,000	3,785	Water tank - 1 Comp.	81" x 84"



Horizontal Fiberglass Tanks

500 - 10,000 gallons available

- Medium duty and heavy-duty options
- CSA approved

Styles available:

- Potable water storage
- Two compartment sewage tanks
- Two compartment syphon tanks
- One compartment sewage holding tank

Lids, fittings and more



Poly Ball Valves



Poly Bulkheads



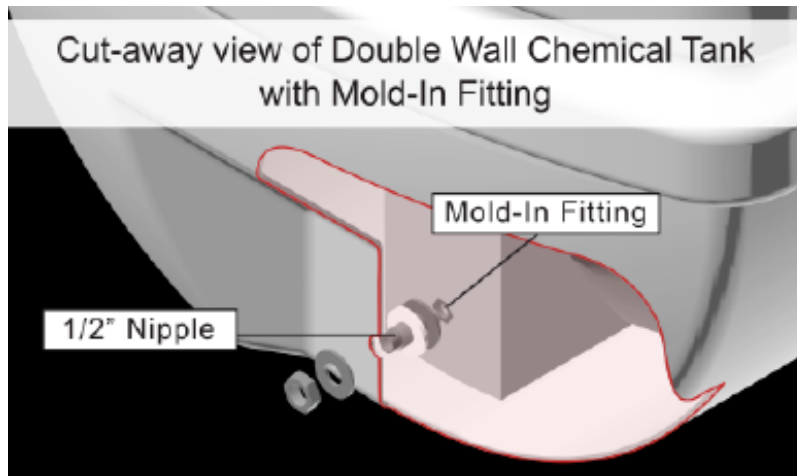
Vented and Non-vented Lids



Other available fittings

- Durable - polypropylene is glass filled for rugged strength and durability
- Economical and superior in performance
- Complete line of polypropylene fittings available
- Pictures show some of the fittings carried, more available at our locations

Marmit Plastics Inc (MPI) designed a specialized stainless steel fitting molded right into the tank.



Mold-in Tank Fitting

- 1/2" Dia 316 stainless steel tank outlet
- Each tank is individually pressure tested
- No inner gasket
- Reduced maintenance
- No gasket compatibility issues
- No more leaking tanks

Choose MPI's **Mold-in Tank Fitting** with the patented **Top Fill Tank Adapter** for the BEST spill protection in the industry.

Liquid level alarm and gauges



Liquid Level Alarm Model 100

- Indoor alarm display with auto reset audible alarm
- High or low function selectable
- Digital RF probe, 15m (50') standard
- Accuracy of probe best in industry +/- 3mm (1/8")
- Continual self-test that probe functioning correctly
- Unit is complete with all wiring
- Custom probe cable lengths available
- No limit to transmission distance

Wireless Liquid Alarm Model 110

Monitors water level in pump chambers, cisterns, holding tanks, sumps, floor drains or truck tank. The indoor alarm will warn a threatening level condition.

- Outdoor NEMA 6P enclosure battery powered, 5m (16') digital RF probe
- High or low function selectable
- Wireless range 90m (300 feet)
- Indoor alarm display with auto reset audible alarm
- Continual self-test that probe and wireless radios functioning correctly
- Low battery warning
- Accuracy of probe, best in industry +/- 3mm (1/8")
- Custom probe cable lengths available



Oilfield products



Barrel Dock

- Accommodates four barrels of containment
- Great for barrel storage

CODE	L x W x H	LBS
BARREL DOCK	48" x 48" x 12"	55

Battery Box

- Removable Lid
- Ground wire option
- Designed for easy fork-lift use



CODE	IMP GAL	LITERS	L x W x H	LBS
BATTERY BOX	175	795	48" x 48" x 24"	90



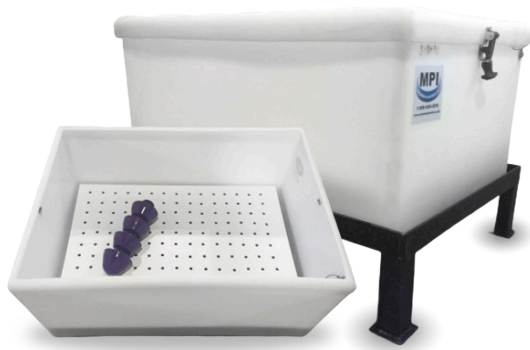
Hose Stand

CODE	L x W x H	LBS
HOSE STAND	22" x 22" x 20"	9



Line Trays

CODE	L x W x H	LBS
LINE TRAY SMALL	24" x 24" x 8"	10
LINE TRAY LARGE	30" x 24" x 6"	12.5



Pig Box

- Pipeline pig containment
- Equipped with ground wire, lid, handle and tie downs

CODE	IMP GAL	LITERS	L x W x H	LBS
PIG BOX 50	50	231	36" x 25" x 16"	35
PIG BOX 65	65	322	40" x 28" x 20"	50



Pipe Stand

- 23" pipe cones
- 2" - 8" pipe diameter
- Heavy weight construction
- Tested to handle 2300 kg
- Tabbed for easy denesting
- Optional company name plate

CODE	H x DIA	LBS
PIPE STAND	23" x 22"	9

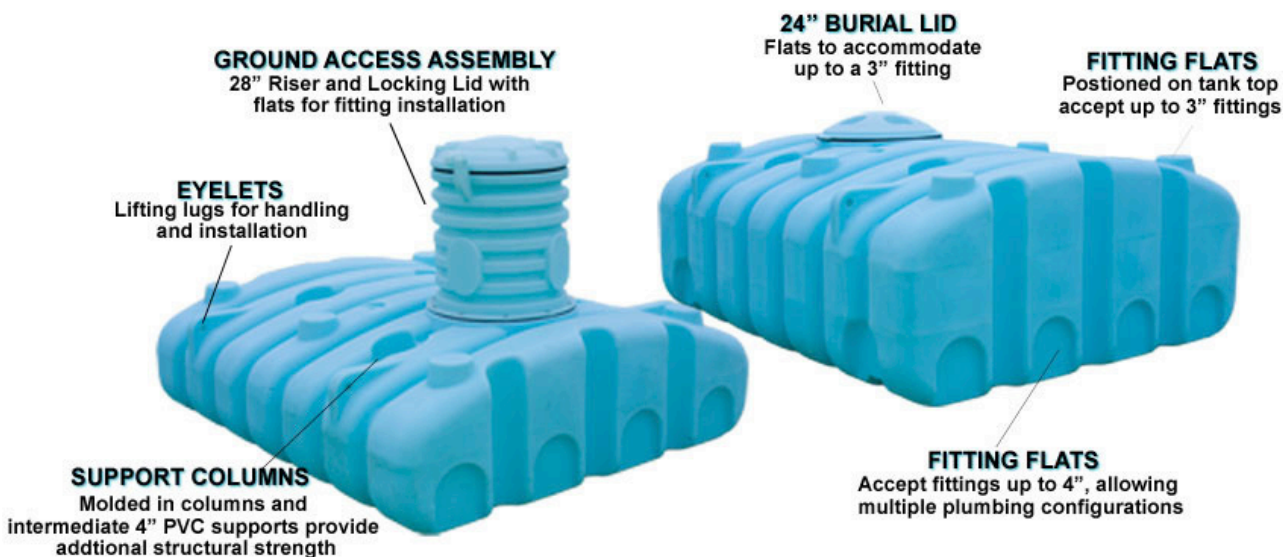


Sumps

- Required in a new home construction
- Small and large capacity
- Pre-cut access hole

CODE	IMP GAL	LITERS	H x DIA	LBS
SUMP	40	182	30" x 24"	20
SUMP (FS)	108	490	30" x 36"	20

Plastic burial storage tanks



Aquifer - Low Profile Cistern Tank

- Sectional ribbing designed to withstand up to 400 PSF load pressure
- High-density polyethylene with UV inhibitors
- Low profile design with multiple fittings to accommodate a variety of plumbing configurations
- Manufactured from FDA compliant resins to the requirements of NSF/ANSI standard 61
- Can be buried up to 28" deep
- Can be back filled empty

CODE	US GAL	DESCRIPTION	L x W x H	LBS
ACT1000-LPB	1,000	With burial lid	111" x 98" x 36"	559
ACT1000-LPG	1,000	With ground access assembly	111" x 98" x 36"	595
ACT1500-LPB	1,500	With burial lid	111" x 98" x 48"	702
ACT1500-LPG	1,500	With ground access assembly	111" x 98" x 48"	738
ACT2000-LPB	2,000	With burial lid	158" x 98" x 45"	917
ACT2000-LPG	2,000	With ground access assembly	158" x 98" x 45"	953
ACT2500-LPB	2,500	With burial lid	185" x 98" x 54"	1,031
ACT2500-LPG	2,500	With ground access assembly	185" x 98" x 54"	1,067
ACT16052	-	28" ground access assembly	34" DIA x 38" H	53
ACT16053	-	24" burial lid with gasket	35" DIA x 8" H	17

Portable toilets



Portable Toilets

- Maximum ventilation
- Roomy interior
- Anti-slip floor surface for improved safety
- Occupancy signal latch
- Two tissue rolls
- Sanitary seat deck and floor design
- Translucent roof for better lighting



Comfort-XL

- Barrier-free door sill
- Extra wide door
- Fits all wheelchairs
- Spacious interior for wheelchair maneuverability
- Handrail support for assisted mobility
- Privacy latch
- Occupancy indicator

CODE	L x W x H	LBS
PJ-PHN3	47" x 43.5" x 91"	165
PJ-COMFORTXL	62" x 62" x 91"	240

Recreational products



Dock Floats

Great for floating docks or wharfs

CODE	L x W x H	LBS
DOCK FLOAT	48" x 20" x 11"	25



Open Top Sleigh

- Heavy wall polyethylene (1/4" - 3/8")
- 1 - 1/4" tubing hitch for heavy loads
- Optional UHMW wear strips

CODE	L x W x H	LBS
WEEKENDER	72" x 24" x 11"	70



Quad Tub and Trailer

- 1250 lbs stub axles
- 2" x 2" angle iron framing and square tubing tongue
- Perfect for the outdoor enthusiast or the avid hunter

CODE	L x W x H	LBS
QUAD TRAILER	72" x 51" x 36"	95
QUAD TUB	57" x 51" x 30"	75



Trapper

- Just like its name "Trapper"
- Closing lid
- Additional space on rear for carrying fuel
- 1-1/4" tubing hitch for heavy loads
- Optional UHMW wear strips

CODE	L x W x H	LBS
TRAPPER	87" x 25" x 25"	102

Field Boss Wash

- Powerful gas powered pressure washer, built to fit in a Utility Task Vehicle (UTV) bed
- Complete with a built-in soap tank
- Integrated fork points - no time wasted loading or unloading
- Heavy-duty pressure washer gun
- GX200 6 HP Honda motor, 2.5 GPM, 3000 PSI
- 50 feet of hose included



CODE	DESCRIPTION	L x W x H	LBS
SFBW060FG3025GH	60 US gallon field boss wash	48" x 38" x 23"	109
SFBW100FG3025GH	100 US gallon field boss wash	48" x 45" x 27"	205



ATV Sprayers

- Spray up to 30 feet in rough terrain, only accessible by All-Terrain Vehicle (ATV)
- Low profile self-contained 12-volt sprayer for front or rear mounting to ATV
- Complete with wiring loom, lance, 15-foot coiled hose and tie-down straps
- Integral tank baffle to increase stability

CODE	DESCRIPTION	L x W x H	GPM	LBS
SA015212V	15 US gallon gold series	27" x 33" x 13"	2	28
SA022212V	22 US gallon gold series	28" x 35" x 16"	2	32
SA025212V	25 US gallon gold series	30" x 40" x 16"	2	39
SA025412V	25 US gallon pro series	30" x 40" x 16"	4	50

Landscape Sprayers

- High volume sprayers to maximize your spraying performance
- GX200 6.5 HP Honda engine, 11 GPM, 580 PSI
- 100 feet of high-pressure hose with a spray distance of 35 feet
- STAL 16 standard handgun
- Manual pressure regulator and gauge - control your spraying pressure easily



CODE	DESCRIPTION	L x W x H	LBS
SM100FG11GH	200 US gallon landscape sprayer	66" x 41" x 28"	345
SM150FG11GH	250 US gallon landscape sprayer	66" x 41" x 34"	355
SM200FG11GH	300 US gallon landscape sprayer	80" x 47" x 33"	440
SM250FG11GH	400 US gallon landscape sprayer	80" x 47" x 38"	455



Tree Sprayers

- Perfect for reaching the top with extremely high pressure
- CX390 13 HP Honda motor, 18 GPM, 725 PSI
- Includes 100 feet of hose
- Adjust your spraying pattern from jet stream to mist to suit your application
- 50-foot vertical spray distance
- 55-foot horizontal spray distance

CODE	DESCRIPTION	L x W x H	LBS
SM200FG18GH	200 US gallon tree sprayer	80" x 47" x 33"	440
SM250FG18GH	250 US gallon tree sprayer	80" x 47" x 38"	445
SM300FG18GH	300 US gallon tree sprayer	96" x 46" x 36"	560
SM4400FG18GH	400 US gallon tree sprayer	96" x 46" x 45"	590

Fire Ranger

- Designed to be your ideal fire control unit
- A must for every fire department and farmers to have as a back-up
- GX160 5.5 HP Honda motor, 120 GPM, 100 PSI
- Poly hose reel with adjustable firefighting nozzle
- Slide into the back of your pick-up truck – saving valuable space without losing volume
- 35-foot vertical spray distance
- 40-foot horizontal spray distance



CODE	DESCRIPTION	L x W x H	LBS
SMF150FG120GH	150 US gallon fire ranger	66" x 41" x 34"	340
SMF250FG120GH	250 US gallon fire ranger	80" x 47" x 38"	440
SMF300FG120GH	300 US gallon fire ranger	96" x 46" x 36"	495
SMF400FG120GH	400 US gallon fire ranger	96" x 46" x 45"	515



12-volt Gold Series

- Great for weed and spot spraying
- 12-volt motor, 2 GPM, 60 PSI
- All SSR codes include 100 feet of hose on a poly hose reel
- Completely drain your spraying chemical with built in sump drain
- 27-foot vertical spray distance
- 35-foot horizontal spray distance

CODE	DESCRIPTION	L x W x H	LBS	INFO	HOSE
SSR025FG212V	25 US gallon gold series	41" x 20" x 21"	65	Hose reel included	100'
SSR055FG212V	55 US gallon gold series	44" x 27" x 25"	85	Hose reel included	100'
SSR075FG212V	75 US gallon gold series	39" x 32" x 28"	115	Hose reel included	100'
SSR100FG212V	100 US gallon gold series	51" x 36" x 29"	125	Hose reel included	100'
SS025FG212V	25 US gallon spot sprayer	41" x 20" x 21"	65	No hose reel	15'
SS055FG212V	55 US gallon spot sprayer	44" x 27" x 25"	85	No hose reel	15'
SS075FG212V	75 US gallon spot sprayer	39" x 32" x 28"	115	No hose reel	15'
SS100FG212V	100 US gallon spot sprayer	51" x 36" x 29"	125	No hose reel	15'



12-volt Pro Series

- One of the most popular UTV sprayers - amazing acreage spraying
- Controls spraying pressure with a three-way regulator and gauge
- 12-volt motor, 4 GPM, 60 PSI
- 30-foot boomless nozzle
- 15-foot hose included
- 27-foot vertical spray distance
- 35-foot horizontal spray distance

CODE	DESCRIPTION	L x W x H	LBS
SSP025FG412V60	25 US gallon pro series	41" x 20" x 21"	75
SSP055FG412V60	55 US gallon pro series	40" x 27" x 28"	95
SSP075FG412V60	75 US gallon pro series	39" x 32" x 28"	125
SSP100FG412V60	100 US gallon pro series	51" x 36" x 29"	135

Tractor Sprayers

- Includes extra user-friendly features and a counter balance tank for your safety
- PTO Motor, 8 GPM, 300 PSI
- 15-foot hose length (100 feet of hose with poly reel available)
- Easily monitor and change your boom spraying pressure from your seat
- 27-foot vertical spray distance
- 35-foot horizontal spray distance



CODE	DESCRIPTION	L x W x H	LBS	PUMP
SLC055FG8GR	55 US gallon tractor sprayer	42" x 38" x 27"	175	6 Roller
SLC100FG8GR	100 US gallon tractor sprayer	27" x 44" x 48"	230	6 Roller
SLC200FG8GR	200 US gallon tractor sprayer	36" x 48" x 52"	290	6 Roller
SLC055FG8GRS	55 gallon tractor sprayer	42" x 38" x 27"	175	Stainless Steel6 Roller
SLC100FG8GRS	100 gallon tractor sprayer	27" x 44" x 48"	230	Stainless Steel6 Roller
SLC200FG8GRS	200 gallon tractor sprayer	36" x 48" x 52"	290	Stainless Steel6 Roller

Tow Lynx EcoLite

- A quiet, environmentally friendly sprayer
- 12-volt electric motor, 4 GPM, 60 PSI
- 15-foot hose length
- 27-foot vertical spray distance
- 35-foot horizontal spray distance



CODE	DESCRIPTION	L x W x H	LBS
WA055FG412V	55 US gallon tow lynx ecolite	50" x 51" x 38"	215
WA075FG412V	75 US gallon tow lynx ecolite	80" x 56" x 43"	300
WA100FG412V	100 US gallon tow lynx ecolite	91" x 60" x 43"	320

Spray Nozzles



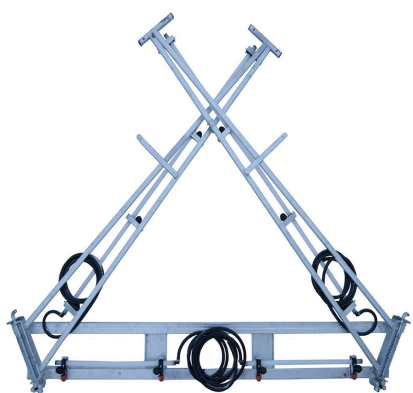
CODE	GPM	PSI	SPRAY PATTERN	INLET SIZE
CPLF01	4	800	Jet / Fan	3/8"
CVSG4507F	5	100	Jet / Fan	3/8"
CVSTAL24	7	250	Jet / Fan	3/8"
CVSTAL26	7	350	Jet / Fan	3/8"
CVSTAL28	15	700	Jet / Fan / Fog	3/8"
CVSTAL30	25	850	Jet / Fan / Fog	1/2"



Poly Boom Attachments

- All nozzles are always protected. The nozzles are safe even if the boom hits a post or a tree.
- The hit and swing boom action. Don't let those obstacles set you back from spraying near poles or trees
- All poly booms fold for improved storage. Fit through narrow gates when your boom is neatly folded up
- High-quality nozzles mean efficiency. Never miss a section because you have high-quality non-drip nozzles

CODE	SPRAY COVERAGE	NOZZLES	PUMP REQUIREMENT	LBS
ASBP13GY	13'	8	2 GPM	40
ASBP20GY	20'	12	4 GPM	105
ASBP26GY	26'	16	5 GPM	126
ASBP30GY	30'	18	7 GPM	146



Steel Boom Attachments

- Attach to your sprayer in minutes. With just four bolts, you can have your boom attached to your sprayer
- The nozzles are designed to spray efficiently eliminating any missing strips
- All nozzles are completely protected. Remove any worry of busting nozzles when hitting a still object
- Three flexible spraying sections with a three-way regulator - spraying the left, right or center sections

CODE	SPRAY COVERAGE	NOZZLES	PUMP REQUIREMENT	LBS
ASBS12SS	13'	8	2 GPM	27
ASBS20SS	20'	12	4 GPM	85
ASBS26SS	26'	16	5 GPM	95
ASBS30SS	30'	18	7 GPM	110



Fire Control Backpack

- Double action chromed brass pump for ease of operations and durability
- Adjustable nozzle for effective performance in varying conditions
- One-way valves prevent leakage and siphoning when not in use
- Filtered lid to keep out debris
- 40" hose length
- 22-foot vertical spray distance
- 39-foot horizontal spray distance

CODE	DESCRIPTION	L x W x H
SKF04	4 US gallon	7" x 16" x 21"



Standard Duty Sprayers

Supplied with:

- Pressure regulator
- Fan nozzle
- Two seals
- Measuring jug
- Two face masks

CODE	DESCRIPTION
SG1001	INTEREKO 1 - 1.3 gallons
SG1018	INTEREKO 7 - 1.3 gallons
SG1048	INTEREKO 16 Green - 4.3 gallons

Steel tanks

Double Wall Steel Tanks

- 100% secondary containment
- 360° corrosion resistant exterior
- Internal coatings available for volatile products
- Industry leading construction methods ensure durability and liquid-tight storage



CODE	IMP GAL	LITERS	LENGTH x DIA	LBS
100 DW STEEL	100	455	48" x 28"	350
300 DW STEEL	300	1,363	72" x 38"	700
500 DW STEEL	500	2,273	72" x 50"	880
1000 DW STEEL	1,000	4,546	144" x 50"	1,500

Single Wall Steel Tanks

- Ideal for chemical and fuel applications
- Finished with heavy-duty industrial polyurethane
- Coating - ULC S601 rated - latest revision
- Structural plate ASTM AB6 or equivalent



CODE	IMP GAL	LITERS	LENGTH x DIA	LBS
300 SW STEEL	300	1,363	72" x 38"	600
500 SW STEEL	500	2,273	72" x 50"	770
1000 SW STEEL	1,000	4,546	144" x 50"	975



Slip Tanks

- Extremely durable double wall design
- Lockable fill-spill box that reduces fuel spillage when filling tank
- Triple-plate pump intake to minimize stress fractures
- Pump intake is fitted with pump mount and suction tube with emergency valve
- Baffled primary tank to reduce sloshing

CODE	UNIT OF MEASURE	VOLUME	L x W x H	TANK WEIGHT	TOTAL WEIGHT
95	Imperial	95	48" x 32" x 24"	365	1,337
135T	Imperial	135	60" x 32" x 24"	512	1,893
135S	Imperial	135	48" x 32" x 33"	512	1,893

'TOP FILL' tank filling system



- The industry's highest level of safety for filling tanks
- Safe, easy and fast
- Avoid static discharge
- Eliminate splash filling
- Easy to install
- Fills consistently to the same level
- Retrofitting available on both plastic and steel tanks

Quick fact

The condition of the water is the most important factor to determine how fast algae will grow in your tank.

The cleaner the water, the less algae growth. However, green or black tanks will certainly deter algae growth.

Water and agricultural tanks



Cylinder Tanks

- Agricultural and industrial uses
- Suitable for above ground storage, liquid fertilizer and rain water collection
- Vented lid and bulkhead fitting included on 300 gallon and up

CODE	IMP GAL	LITERS	DIA x H	LBS
C65	65	295	25" x 39"	28
C300FB	300	1,362	40" x 74"	132
C500FB	500	2,270	50" x 72"	176
C850	850	3,864	84" x 55"	198
C1000	1,000	4,546	72" x 82"	200
C1200	1,200	5,455	84" x 73"	225
C1500	1,500	6,820	84" x 92"	308
C2000	2,000	9,092	84" x 117"	400
C2700	2,700	12,274	101" x 108"	825

Leg Tanks

- Excellent for water transportation
- Molded legs act as baffles to reduce liquid movement during transport
- All tanks include an 8" vented lid and 2" bulkhead fitting



CODE	IMP GAL	LITERS	L x W x H	LBS
LT135	135	614	59" x 28" x 31"	60
LT165	165	750	51" x 38" x 35"	71
LT275	275	1,250	65" x 41" x 42"	100
LT370	370	1,682	60" x 51" x 49"	127
LT500	500	2,273	87" x 50" x 49"	150
LT1250	1,250	5,682	101" x 81" x 67"	396



Loaf Tanks

- These tanks are suitable for a variety of applications
- Vented lid and bulkhead fitting included
- Excellent for extra storage at the cabin or small transportation top-ups
- Ideal for additional RV and camping water storage
- Great for horse trailers

CODE	IMP GAL	LITERS	L x W x H	LBS	LID SIZE
L40	40	182	35" x 22" x 18"	28	4"
L95	95	432	47" x 22" x 27"	50	4"
L125	125	568	62" x 34" x 27"	76	7"
L150	150	682	48" x 31" x 32"	72	8"
L185	185	840	62" x 34" x 36"	95	7"
L200	200	909	57" x 29" x 36"	100	8"
L550	550	2,500	65" x 43" x 69"	200	15"

Vertical Box Tanks

- Suitable for residential water storage
- Each tank includes a vented lid and 2" bulkhead fitting
- Ribbing on tanks allows for full capacity storage with ease
- Fits through most doorways



CODE	IMP GAL	LITERS	L x W x H	LBS
VBT175	175	795	38" x 26" x 69"	132
VBT250	250	1,136	42" x 31" x 77"	175
VBT320	320	1,450	44" x 31" x 81"	200
VBT350	350	1,591	62" x 28" x 61"	150



Horizontal Box Tanks

- Perfect for tight spaces
- Pigments for grey water applications
- Can be customized 100% - fittings go where you need them

CODE	IMP GAL	LITERS	L x W x H	LBS
HBT3	3	14	15" x 13" x 6"	5
HBT8	8	36	35" x 12" x 7"	10
HBT15	15	68	22" x 18" x 12"	10
HBT25	25	114	51" x 19" x 9"	25
HBT50	50	227	35" x 26" x 17"	28
HBT65	65	295	39" x 27" x 20"	38
HBT130	130	590	72" x 30" x 17"	70
HBT150	150	681	67" x 44" x 12"	77
HBT400	400	1,816	93" x 56" x 23"	150

Vertical Storage Tanks

- UV stabilized polyethylene construction
- Includes four built-in tie-down points - safely securing your tank with ease
- Suitable for liquid feed, water and fertilizer
- Ribbed wall technology with superior roof design for structural strength



CODE	US GAL	DIA x H	LBS
THV01350	1,530	85" x 71"	253
THV01550	1,700	85" x 80"	298
THV01750	2,009	85" x 89"	320
THV02000	2,276	90" x 93"	364
THV03000	3,126	90" x 125"	551
THV04000	4,100	110" x 124"	992
THV05000	5,500	110" x 150"	1,213
THV06000	6,500	110" x 179"	1,433
THV07011	7,011	144" x 126"	1,433
THV08000	8,150	144" x 142"	1,874



Free Standing Transport Tanks

- Internal baffle advantage, reduces liquid surge in transport with built-in baffle system
- Baffle balls available in two sizes to minimize stopping distance required for vehicles
- All tanks built for optional mounting pin installation securing your tank with confidence

CODE	US GAL	L x W x H	LBS
THF00100	110	46" x 41" x 21"	60
THF00300	340	76" x 46" x 31"	132
THF00550	550	80" x 57" x 40"	198
THF00800	800	94" x 60" x 48"	308
THF001000	1,100	94" x 60" x 63"	396
THF001600	1,600	130" x 71" x 59"	572
THF002200	2,200	130" x 71" x 72"	715
THF002500	2,500	130" x 87" x 72"	1,045
THF003000	3,000	130" x 87" x 90"	1,210
THF003200	3,200	145" x 97" x 79"	-

Cone Bottom Tanks

- Heavy-duty and powder coated steel frame
- Ribbed side wall for superior strength
- 15° slope with full drain fitting for total evacuation
- 16" hinged and vented lid standard on all tank sizes
- Built-in four tie-down points to safely secure your tank



CODE	US GAL	DIA x H	LBS
THC01200KFG	1,250	90" x 83"	600
THC01600KFG	1,700	90" x 96"	688
THC02000KFG	2,276	90" x 113"	754
THC02500KFG	2,680	90" x 130"	842
THC03000KFG	3,126	90" x 146"	941
THC04000KFG	4,100	110" x 146"	1,767
THC05000KFG	5,500	110" x 175"	1,988
THC06000KFG	6,500	110" x 204"	2,208
THC07011KFG	7,011	144" x 150"	3,253
THC08000KFG	8,150	144" x 166"	3,694



Low Profile Tanks

- 16" sealed locking lid with 4" breather
- Ribbed design
- UV stabilizer protected
- Liquid densities to 19 lbs per gallon
- FDA and food grade approved
- Optional site gauge
- Optional extra bulkheads

CODE	IMP GAL	LITERS	H x W x L
H3400LP	2,800	12,730	77" x 92" x 147"
H4000LP	3,330	15,142	92" x 92" x 147"

Upright Tanks

- Lifting or tie-down lugs
- Liquid densities up to 19 lbs per gallon
- 16"-22" lid with 4" breather
- Siphon tube
- Ribbed design
- UV stabilizer protected
- Heavy-duty design
- FDA and food grade approved polyethylene



CODE	IMP GAL	LITERS	DIA x H
H3600UR	3,000	13,638	96" x 120"
H5000UR	4,200	19,093	125" x 120"
H6000UR	5,000	22,730	150" x 120"
H11000UR	9,160	41,642	164" x 147.5"



Please complete the form and fax it to +1 780 451 6829 or email it to sales@marmitplastics.com

I am interested in:

Please tick the product category you are interested with then include the code, quantity or size of the product in the description box.

<input type="checkbox"/> Barricades <input type="text"/>	<input type="checkbox"/> Lids, fittings and more <input type="text"/>	<input type="checkbox"/> Sprayers <input type="text"/>
<input type="checkbox"/> Custom welding fabrications and molding <input type="text"/>	<input type="checkbox"/> Liquid level alarms and gauges <input type="text"/>	<input type="checkbox"/> Steel tanks <input type="text"/>
<input type="checkbox"/> Chemical tanks and containment <input type="text"/>	<input type="checkbox"/> Oilfield products <input type="text"/>	<input type="checkbox"/> 'TOP FILL' tank filling system <input type="text"/>
<input type="checkbox"/> Diesel and DEF transport tanks <input type="text"/>	<input type="checkbox"/> Plastic burial storage tanks <input type="text"/>	<input type="checkbox"/> Water and agricultural tanks <input type="text"/>
<input type="checkbox"/> Dump truck liners and lining applications <input type="text"/>	<input type="checkbox"/> Portable toilets <input type="text"/>	<i>Comments or suggestions:</i> <input type="text"/>
<input type="checkbox"/> Fiberglass burial storage tanks <input type="text"/>	<input type="checkbox"/> Recreational products <input type="text"/>	



FIVE WAYS TO ORDER

- 1 Call Toll Free: +1 855 532 0366
- 2 Email: sales@marmitplastics.com
- 3 www.marmitplastics.com
- 4 Fax: +1 780 451 6829
- 5 Offices:
20930 118A Ave
Edmonton, Alberta T5S 2S7
64071 Hwy 43 TWP RD 714
Grande Prairie, Alberta T8V 3A5

First Name _____ Last Name _____
 Job Title _____ Company Name _____
 Address _____ City _____ Province _____
 Email _____ Mobile _____

Yes, I would like to receive information about MPI's products and services.

Please tick if you would like to pay by:

- Credit Card
- Cash
- Cheque
- Bank Transfer
- Bank Draft

Cheque or cash payment:

A cheque or cash payment can be made at the Marmit Plastics Inc offices:

Edmonton
20930 118A Ave
Edmonton, Alberta, T5S 2S7

Grande Prairie
64071 Hwy 43 TWP RD 714
Grande Prairie, Alberta T8V 3A5



STORAGE TANKS YOU CAN TRUST

Call Toll Free: **+1 855 532 0366**
Email: **sales@marmitplastics.com**
www.marmitplastics.com

Visit one of the branches

EDMONTON

20930 118A Ave
Edmonton, Alberta
Canada T5S 2S7
Tel no: +1 780 451 6729

GRANDE PRAIRIE

64071 Hwy 43 TWP RD 714
Grande Prairie, Alberta
Canada T8V 3A5
Tel no: +1 780 532 0366



Find us on Facebook
facebook.com/marmitplastics



Follow us on Instagram
@marmitplastics



Find us on LinkedIn
linkedin.com/company/marmitplastics

